

Maßangaben in mm / Preis je Stück
all dimensions in mm / price per tool

Bestellbeispiel für Standard-Tool:

How to order a standard-tool:

Beispiel: WES-00307

example

Sonderbestellung:

special order:

Beispiel: WES-Øa-c x d / w1-w2

example **WES-6.35-1.800x1.200/7°-15°**

Sonderbestellnummer / special order number :

ATTENTION:
**Sheartool size must be bigger
than chip size**

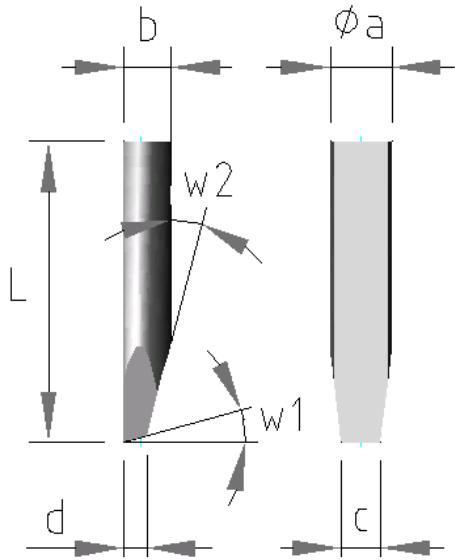
Modell-Übersicht Shear-Tools

Shear-tools

Eigentum der Firma F&S BONDTEC! Eine Verwendung oder Reproduktion dieser Unterlagen, oder der darin enthaltenen Informationen, ist nur mit ausdrücklicher schriftlicher Genehmigung der Firma F&S BONDTEC zu den explizit genehmigten Zwecken gestattet. Die Unterlagen müssen nach Gebrauch zurückgegeben werden.

Property of F&S BONDTEC confidetal ! Reproduction or use of this material or its information is NOT permitted without the express written approval of F&S BONDTEC and same shall only be used for the purposes authorized and must be returned immediately upon completion of its use !

Bestell-Nr. order No.	Øa	b	L	c	d	w1	w2	Preis in € price in €	Bemerkung comment
0.7015.3090	Tool-Befestigungssatz (tool mounting set)								Ersatz
WES-00001	1.585	1.15	11.1	0.075	0.025	15°	15°		Die-Shear-Tool
WES-00002	1.585	1.15	11.1	0.100	0.085	15°	25°		Die-Shear-Tool
WES-00003	1.585	1.15	11.1	0.125	0.085	15°	25°		Die-Shear-Tool
WES-00004	1.585	1.15	11.1	0.150	0.085	15°	25°		Die-Shear-Tool
WES-00005	1.585	1.15	11.1	0.200	0.150	15°	25°		Die-Shear-Tool
WES-00006	1.585	1.15	11.1	0.250	0.150	15°	25°		Die-Shear-Tool
WES-00007	1.585	1.15	11.1	0.300	0.200	15°	25°		Die-Shear-Tool
WES-00008	1.585	1.15	11.1	0.350	0.200	15°	25°		Die-Shear-Tool
WES-00009	1.585	1.15	11.1	0.400	0.200	15°	25°		Die-Shear-Tool
WES-00010	1.585	1.15	11.1	0.450	0.200	15°	25°		Die-Shear-Tool
WES-00011	1.585	1.15	11.1	0.500	0.250	15°	25°		Die-Shear-Tool
WES-00050	3.17	2.8	34.1	0.100	0.085	7°	20°		Shear-Tool Deep Access 100µ
WES-00051	3.17	2.8	34.1	0.150	0.085	7°	20°		Shear-Tool Deep Access 150µ
WES-00052	3.17	2.8	34.1	0.250	0.150	7°	20°		Shear-Tool Deep Access 250µ
WES-00053	3.17	2.8	34.1	0.400	0.200	7°	20°		Shear-Tool Deep Access 400µ
WES-00054	3.17	2.8	34.1	0.500	0.250	7°	20°		Shear-Tool Deep Access 500µ
WES-00300	3.17	2.4	11.1	0.400	0.400	7°	15°		Die-Shear-Tool
WES-00301	3.17	2.4	11.1	0.600	0.600	7°	15°		Die-Shear-Tool
WES-00302	3.17	2.4	11.1	0.800	0.800	7°	15°		Die-Shear-Tool
WES-00303	3.17	2.4	11.1	1.200	1.200	7°	15°		Die-Shear-Tool
WES-00304	3.17	2.4	11.1	1.600	1.600	7°	15°		Die-Shear-Tool
WES-00305	3.17	2.4	11.1	2.000	2.000	7°	15°		Die-Shear-Tool
WES-00306	3.17	2.4	11.1	2.400	2.400	7°	15°		Die-Shear-Tool
WES-00307	3.17	2.4	11.1	2.600	2.600	7°	15°		Die-Shear-Tool
WES-00308	3.17	2.4	11.1	0.500	0.500	7°	15°		Die-Shear-Tool



Maßangaben in mm / Preis je Stück
all dimensions in mm / price per tool

WES-B00001	3.17	2.8	11	R2.1	R2.1	0°	0°	Special Shear Tool Half-Circle
WES-B00002	3.17	2.8	11.1	1.5	0.250	7°	20°	Wedge Shear Tool 500µm+
WES-B00003	1.585	1.585	11.1	Ø0.350	-	0°	0°	Special Tool round Ø0.350
WES-B00004	1.585	1.15	11.1	0	0	25°	25°	Shear Calibration Tool Ø1,585
WES-B00005	3.17	2.4	11.1	0	0	20°	20°	Shear Calibration Tool Ø3,17
WES-B00006	6.35	4.5	17.5	0	0	30°	30°	Shear Calibration Tool Ø6,35
WES-B00008	3.17	2.8	34.1	1.2	0.400	7°	20°	Shear Tool Deep Access 500µm
WES-B00009	3.17	2.8	34.1	0.100	0.085	7°	20°	Shear Tool Deep Access 100µm
WES-B000010	3.17	2.8	34.1	0.150	0.085	7°	20°	Shear Tool Deep Access 150µm
WES-B00011	3.17	2.8	34.1	0.250	0.150	7°	20°	Shear Tool Deep Access 250µm
WES-B00012	3.17	2.8	34.1	0.400	0.200	7°	20°	Shear Tool Deep Access 400µm
WES-B00013	3.17	2.8	34.1	0.500	0.250	7°	20°	Shear Tool Deep Access 500µm
WES-B00014	3.17	2.8	34.1	0.400	0.150	7°	20°	Shear Tool Deep Access 100µm
WES-B00015	3.17	2.8	34.1	0.500	0.175	7°	20°	Shear Tool Deep Access 125-150µm
WES-B00016	3.17	2.8	34.1	0.600	0.225	7°	20°	Shear Tool Deep Access 175-200µm
WES-B00017	3.17	2.8	34.1	0.800	0.250	7°	20°	Shear Tool Deep Access 250-300µm
WES-B00018	3.17	2.8	34.1	1.000	0.300	7°	20°	Shear Tool Deep Access 300µm
WES-B00019	3.17	2.8	34.1	1.000	0.350	7°	20°	Shear Tool Deep Access 400µm
WES-B00020	3.17	2.8	34.1	1.2	0.400	7°	20°	Shear Tool Deep Access 500µm
WES-B00021	3.17	1.8	11.1	3.17	0.400	7°	20°	Special Shear Tool
WES-B00022	3.17	2.4	11.1	1.2	0.200	0°	20°	Special Shear Tool : 0.05x45° phase in Shear direction
WES-B00023	3.17	2.4	11.1	1.2	0.200	7°	20°	Special Shear Tool : 0.05x45° phase in Shear direction
WES-B00024	6.35	4.5	17.5	7.76	1.300	7°	15°	Special Shear Tool
WES-B00025	6.35	4.5	17.5	8	0.500	2°	30°	Special Shear Tool
WES-B00026	3.17	2.8	49.1	1	0.350	7°	20°	Shear Tool DA 400µm 49.1mm long

Bestellbeispiel für Standard-Tool:

How to order a standard-tool:

Beispiel: WES-00307

example

Sonderbestellung:

special order:

Beispiel: WES-Øa-c x d / w1-w2

example **WES-6.35-1.800x1.200/7°-**

Sonderbestellnummer / special order number :

Um zu bestellen, wenden Sie sich bitte an F&S BONDTEC.

Please contact F&S BONDTEC concerning your order.

